

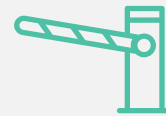
ipdoor



RISE

ROAD BARRIER FOR BARS UP TO 7 METERS

BAR



ROAD BARRIER FOR BOOMS UP TO 7 METERS

Rise is an electromechanical road barrier ideal for managing residential, commercial, or industrial parking areas up to 7m booms. Available in a **24V** version, it can ensure high usage frequency and is equipped with a digital position transducer, ensuring maximum safety and precision of movement.

DESIGN

A modern and **intuitive design is combined with ease of use**. The structure is characterized by a central supporting column and removable external coverings, allowing easy access to all technical compartments and functional components to facilitate installation and maintenance.

ELECTRONICS

Programming of the control unit is simplified, allowing total and flexible **control of the barrier's functionalities** with just a few simple steps. With advanced control systems and customization options, Rise enables efficient and intuitive management of openings.

MODULARITY

Rise is a modular product, capable of managing narrow passages with quick openings as well as more significant access points with maximum flexibility and safety. Thanks to a wide range of available options and accessories, **it is easily compatible with existing systems**.

MECHANICS

The mechanics have been designed to **ensure high performance both in terms of usage frequency and capacity**. Thanks to the numerous available mechanical adjustments, it is possible to achieve precise balancing for each installation. The solid and ergonomic release lever ensures automatic rearming with a snap, making maintenance easier.

COLORS



WIEN GREY

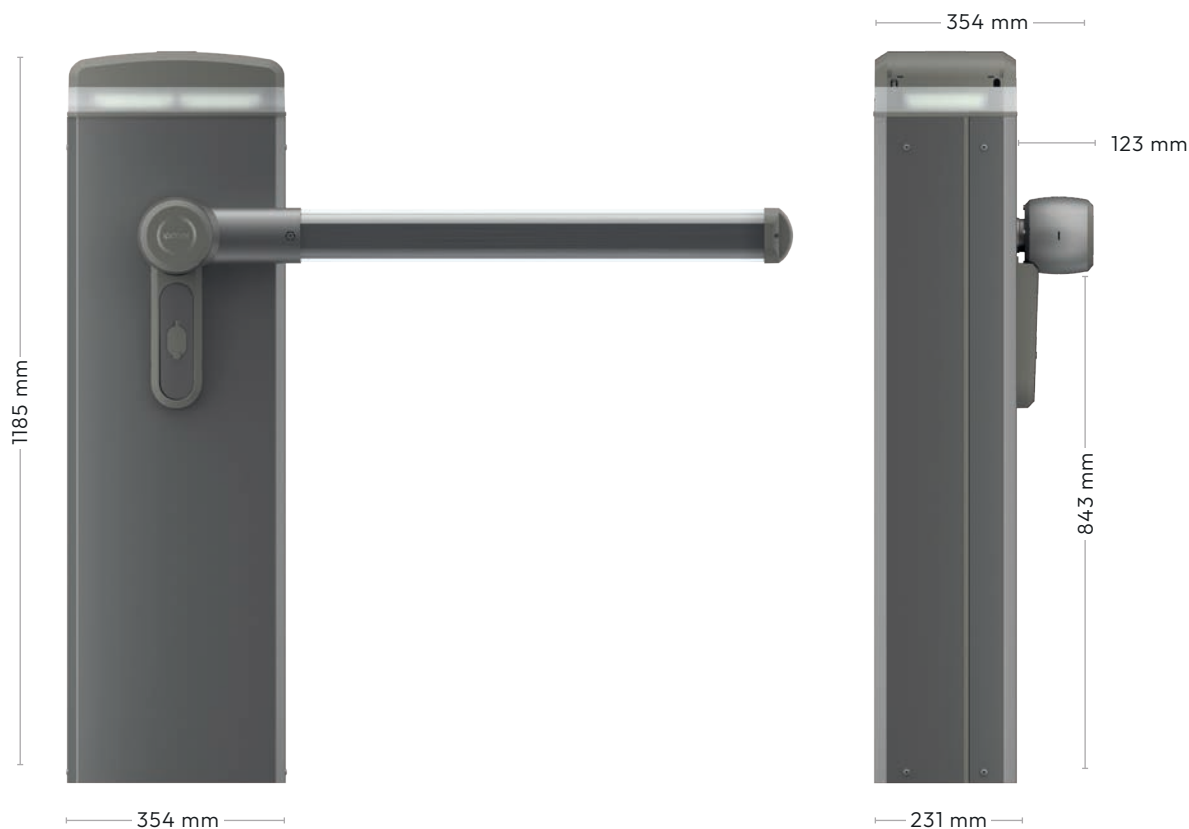


SATIN STAINLESS STEEL

TECHNICAL FEATURES

	BAR2430	BAR2450	BAR2570	
MECHANICAL FEATURES	CLEARANCE	2 m - 3 m	3 m - 5 m	5 m - 7 m
	SUPPLY VOLTAGE	230 VAC	230 VAC	230 VAC
	ELECTRIC MOTOR SUPPLY VOLTAGE	From 20 VDC to 33 VDC	From 20 VDC to 33 VDC	From 20 VDC to 33 VDC
	IP GRADE	54	54	54
	WEIGHT	70 kg	70 kg	70 kg
	OPERATING TEMPERATURE	-20 / +60 °C	-20 / +60 °C	-20 / +60 °C
	MAXIMUM TORQUE	30 Nm	70 Nm	90 Nm
	ADJUSTABLE OPENING TIME	2 s - 4 s	3 s - 6 s	6 s - 10 s
	MAXIMUM CYCLES PER HOUR	500	300	200
	MAXIMUM INITIAL POWER CONSUMPTION	150 W	110 W	110 W
	BUILT-IN ENCODER ON ELECTRIC MOTOR	✓	✓	✓
	ENCRYPTED UNLOCK KEY	✓	✓	✓
	ELECTROMECHANICAL LIMIT SWITCH	✓	✓	✓
DEDICATED BATTERY COMPARTMENT	✓	✓	✓	
ACCESSORIES	BATTERIES	Acc.	Acc.	Acc.
	DIGITAL TPI (INTEGRATED POSITION TRASDUCER)	Build+	Build+	Build+
	DIAGNOSTIC INTERFACE (RGB+ACUSTIC)	Acc.	Acc.	Acc.
	UNLOCK LEVER ACTIVATION SENSOR	Build+	Build+	Build+
	WI-FI MODULE	Acc.	Acc.	Acc.

Build+ is a set of optional accessories that can be installed either as a set or individually during the production phase.



EXPLORE THE FEATURES AND OPTIONS

1 UNLOCK ALERT

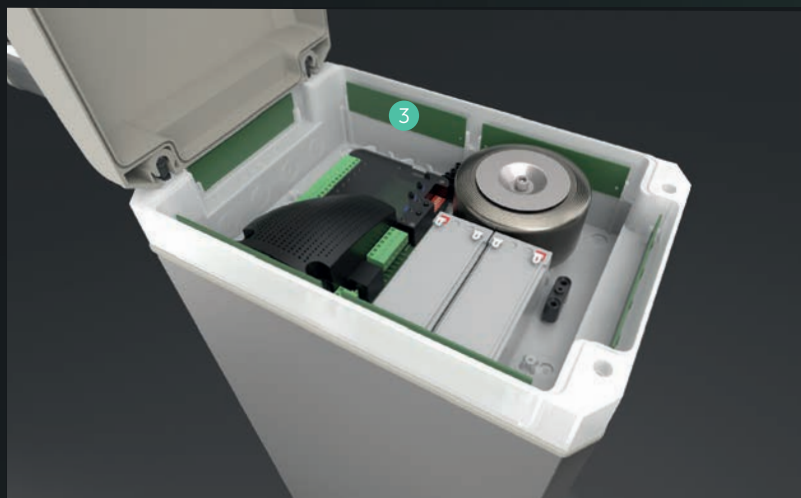
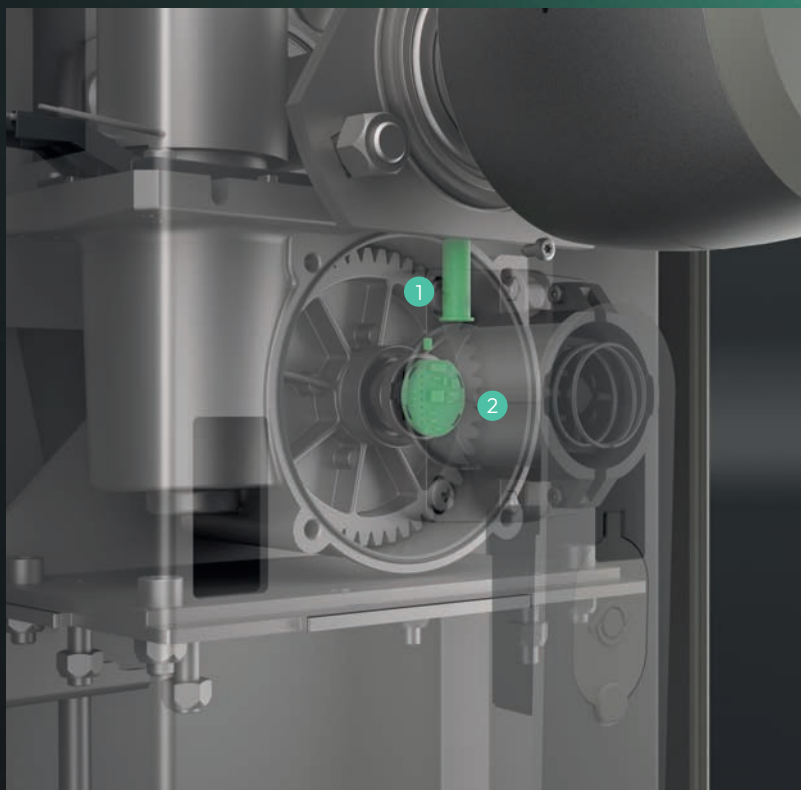
The unlocked gate sensor allows you to send an alarm, both sound and visual, warning of the danger situation of crushing in which the gate is located, important both in private installations and in commercial and industrial scenarios. This function is enhanced by integration with the centralized access control system of the IpDoor line.

2 DIGITAL T.P.I.™

Our automatic gate motor ensures unparalleled system stability, thanks to the angular sensor with Digital T.P.I.™ technology that provides precise information on the movement of the gate. This innovative system guarantees precision, safety, and reliability, essential elements for every installation.

3 RGB INTERFACE

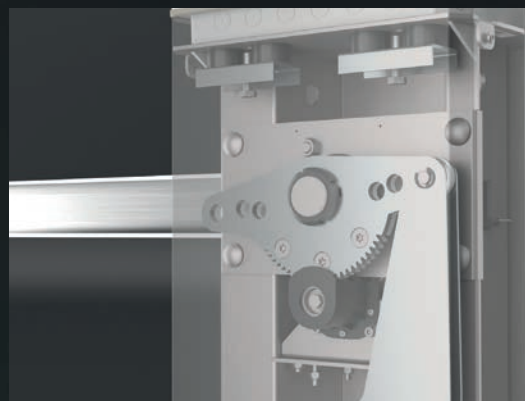
Ease of use and maintenance is further ensured by our RGB interface, which always makes information available on the status of the barrier. This simple and effective signaling system allows the user to evaluate any errors, avoiding problems and making technical support and assistance more immediate.



MANUAL RELEASE LEVER



SPRING SETTING OPTIONS



BALANCE WHEEL SETTING

INTEGRATED ACCESS CONTROL ECOSYSTEM

- ✓ REMOTE CONCIERGE MANAGEMENT
- ✓ LOG MANAGEMENT: IMAGE HISTORY
- ✓ INTEGRATION WITH KONE ELEVATORS



DISCOVER MORE

1 OUTDOOR DEVICES

Video intercom calling;
Door and gates control;
Access control for residents or workers;
Welcoming temporary guests;

2 INDOOR DEVICES

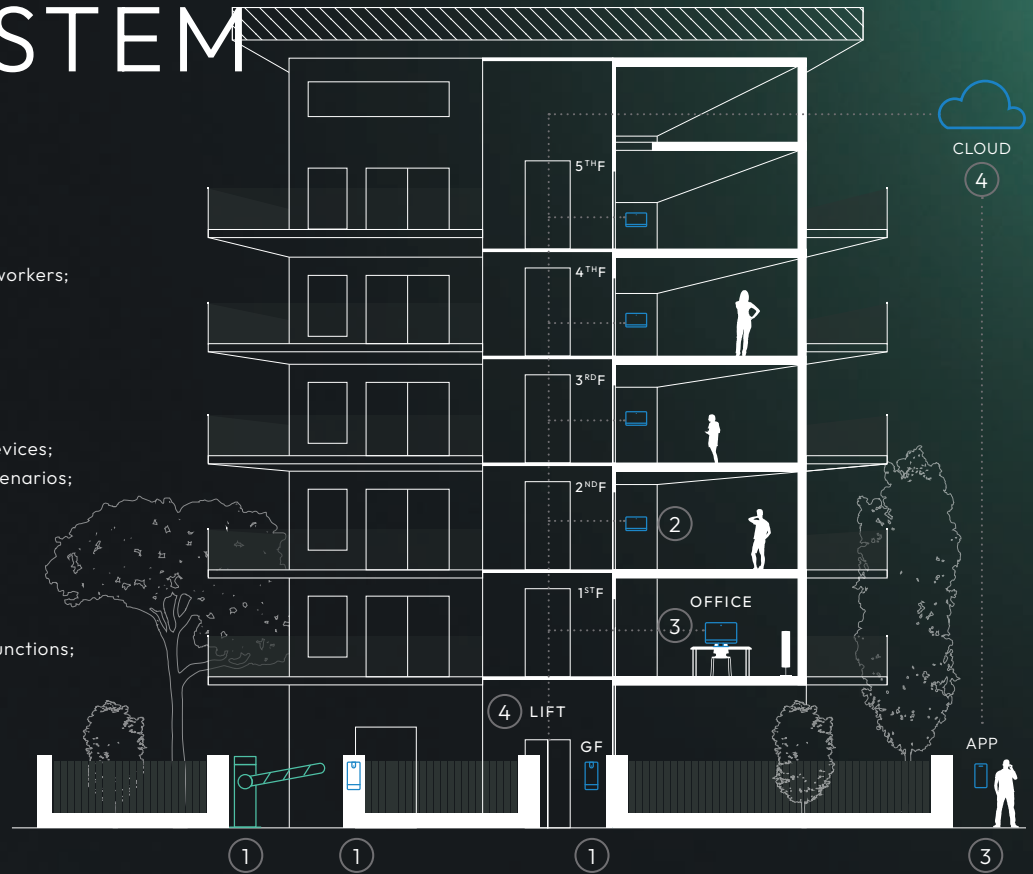
Answering video intercom calls;
Commanding physical access devices;
Controlling home automation scenarios;

3 SOFTWARE FOR REMOTE INTERACTION:

Mobile app with enhanced UX;
Computer app for centralized functions;
Concierge services;

4 API INTERFACES

Cloud and local interaction with
third-party devices.



Rise is designed to integrate perfectly with the IpDoor system, thanks to the optional WiFi integration. This synergy offers fundamental advantages for optimal control and advanced management of the access point.

INTEGRATIONS

Thanks to IP technology and open APIs, the IpDoor system has high design flexibility, allowing you to integrate third-party systems in a secure and flexible way. This allows you to expand

and customize, with other smart devices, a project without limitations, enriching your daily life with comfort and cutting-edge technology.

REAL-TIME DIAGNOSTICS

Real-time monitoring of the status and functionalities is possible. This advanced system provides detailed data and information on the operation of the plant, allowing for efficient maintenance and quick resolution of any problems or malfunctions. Predictive diagnostics and maintenance are facilitated

by the development of a reliable system, managed through a proprietary console, thus ensuring an optimal user experience and simplified management of assistance, even remotely thanks to the intuitive control and monitoring app.

HOME AUTOMATION AND SCENARIOS

IpDoor allows the creation of automated scenarios for access management, ensuring greater security and more flexible and personalized control. IpDoor transforms every environment into a more connected and responsive space to individual needs, creating transit flows and automations that allow entry

and movement in a fluid manner. Easy, like arriving home, seeing the front door opening, the driveway lights turning on, the entrance door opening and the elevator already ready to take me to my home floor.

MADE IN ITALY

DESIGN BY MISURAUINO.IT

ipdoor

IPDOOR IS A BRAND OF XM WORLD



IpDoor S.r.l.

Via A. Ferrero, 9
35133 - Padova | Italy

(+39) 049 825 6725
info@ipdoor.com

IPDOOR.COM

VER.01/2024

